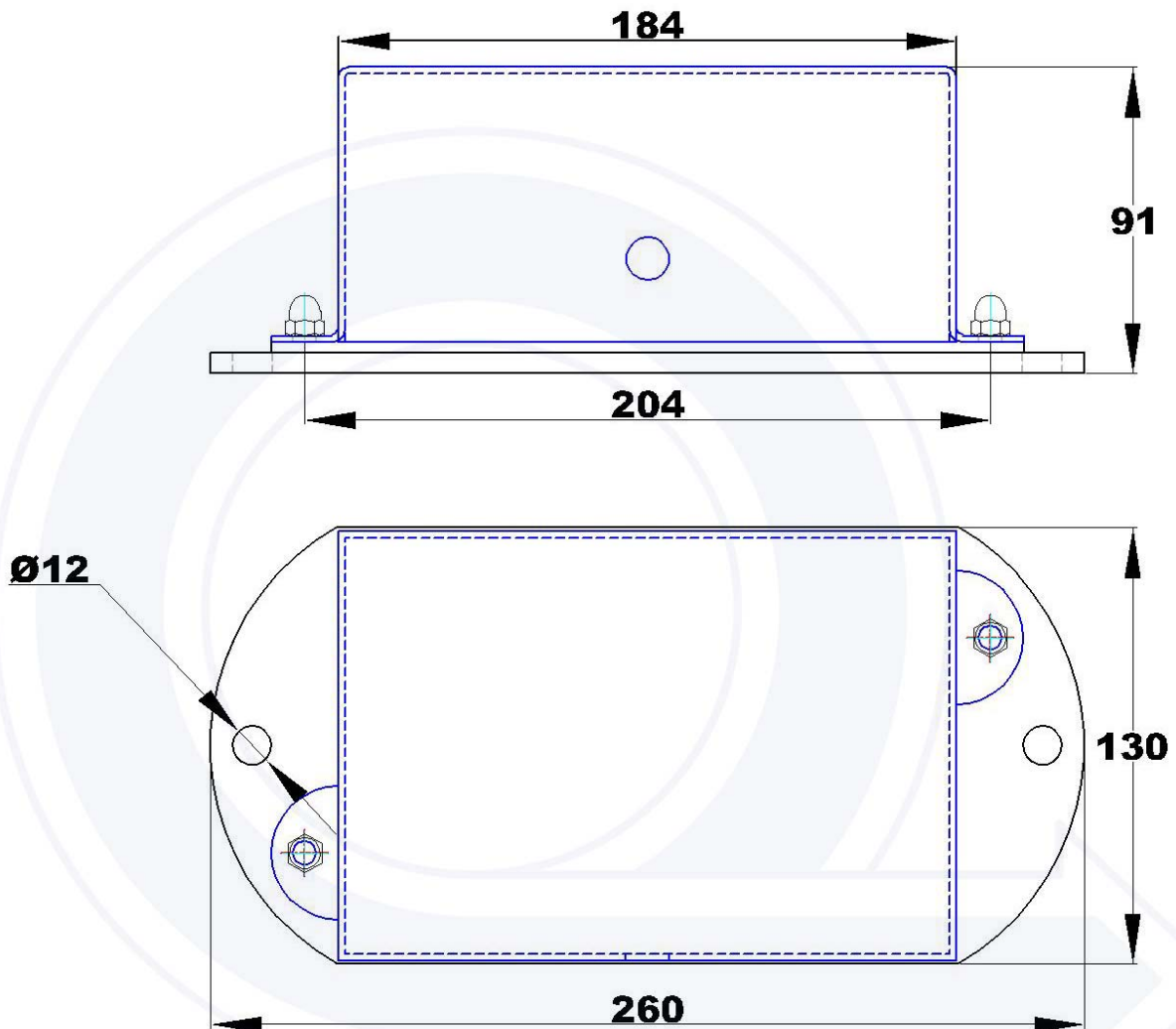


ELECTROMAGNETIC VIBRATOR A20

- Weight : 5,7 kg
- Power supply : single-phase 220V-50Hz
- Power : 30 W
- Max. input current : 0,20 A Max
- Degree of protection: IP55
- Made in : Stainless steel 304 sanded
- Joint in caoutchouc FDA agreement



Theodore Roosevelt street, 19-21 B-1030 Brussels